

TABLE N° :

07 01921 000

DESCRIPTION :

CHASSIS ONE JET OS PRT

EXPLODED VIEW

DATE :

17.06.99

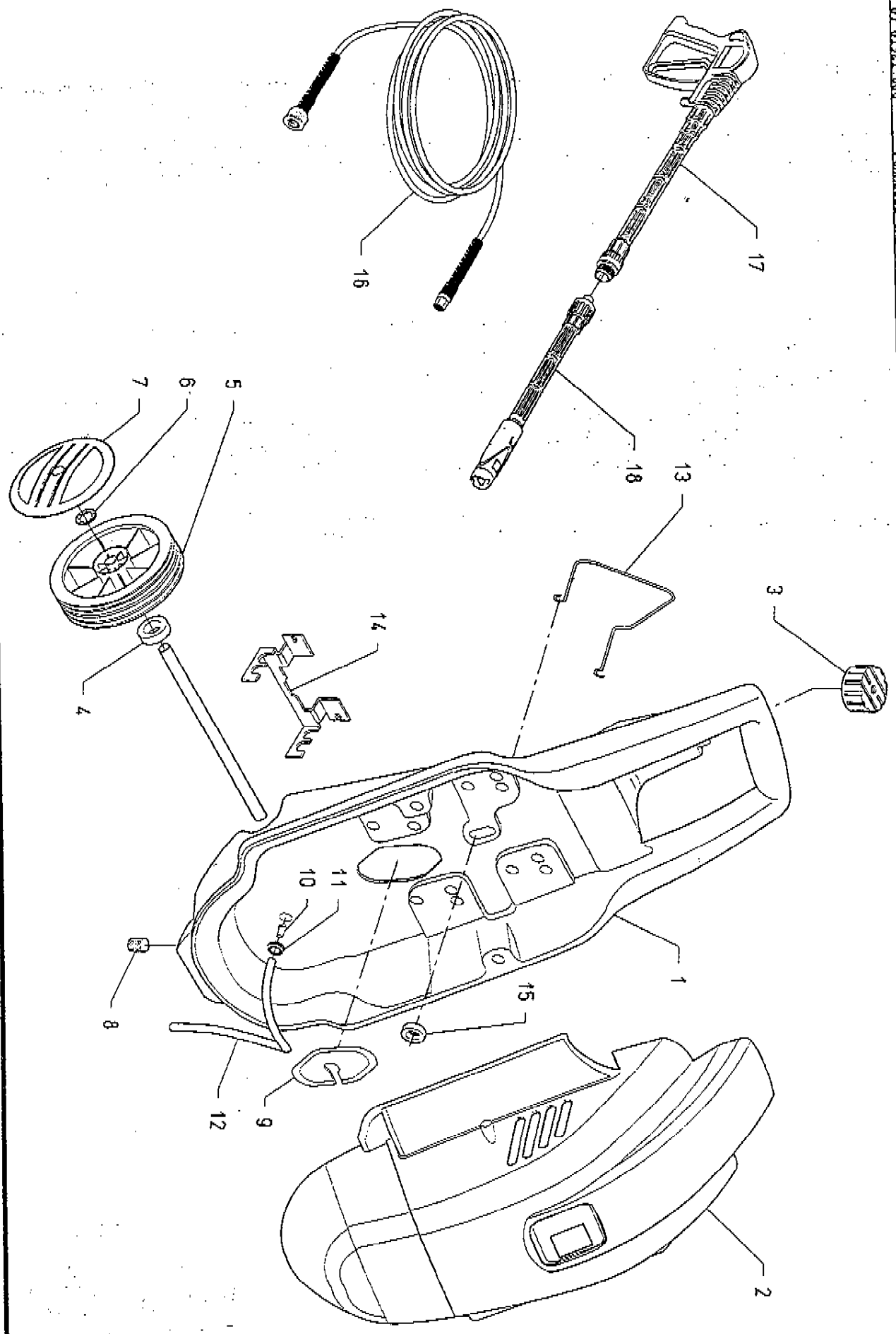
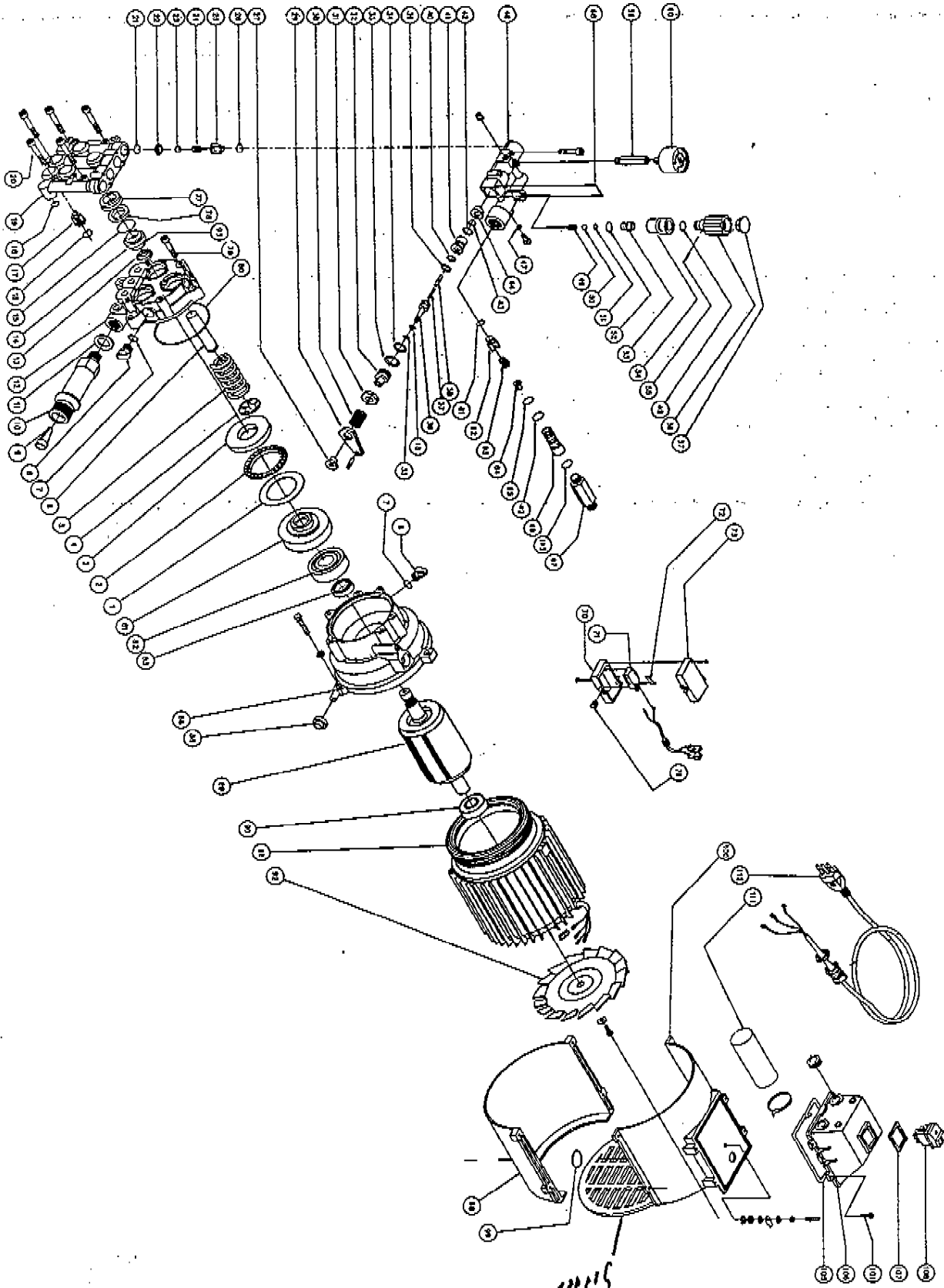


TABLE N° :
07 01922 000

DESCRIPTION :
PUMP MOTOR, COMP. ONE JT, 2000K

EXPLODED VIEW

DATE :
17.06.99



5111 MPVR 60347

TABLE N°:		DESCRIPTION:					SPARE PARTS LIST		DATE:	
07 01922 000		PUMP MOT. CONN. ONE JT. 2000M							17.06.99	
REF. CODE	KIT Q.TY	DESCRIPTION	DENOMINATION	BESCHREIBUNG	DESCRIPCION	DESCRIZIONE	TECHNICAL FEATURES	NOTES		
1	40153	1	FLANGE	BRIDE	FLANSCH	BRIDA	FLANGIA	D. 40X60-1 AS4060		
2	40152	1	ROLLER BEARING	ROULEM.A ROUL.	ROLLENLAGER	COJIN. RODILLOS	CUSCIN.A RULLI	AXK 4060		
3	40151	1	FLANGE	BRIDE	FLANSCH	BRIDA	FLANGIA	D.60 H.90		
4	40201	3	SPRING PLATE	COUPELLE RESS.	FEDERTELLER	PLATILLO MUELLE	PIATTELLO MOLLA	H.90	W	
5	40200	3	SPRING	RESSORT	FEDER	MUELLE	MOLLA	D. 22.5 H.90	W	
6	40202	3	PISTON	PISTON	KOLBEN	PISTON	PISTONE	D.14 H.90 INOX		
7	41606	2	O-RING	O-RING	O-RING	O-RING	O-RING	D. 13 X 3 NBR 70SH	W	
8	34503	2	CAP	BOUCHON	VERSCHLUSS	TAPON	TAPPO	D. 14 CBX		
9	28338	1	FILTER	FILTRE	FILTER	FILTRO	FILTRO	HEX		
10	41607	1	NIPPLE	NIPPLE	NIPPEL	NIPLO	NIPPO	C3/4 ONE J.		
11	41608	1	GASKET	GARNITURE	DICHTUNG	GUARNICION	GUARNIZIONE	D. 16.6-22		
12	41609	1	PISTON FLANGE	BRIDE G.PISTON	KOLBEN-FLANSCH	BRIDA G.PISTON	FLANGIA G.PIST.	14CT H3		
13	40197 k	3	OIL SEAL	JOINT SPI	OLDCHTUNGSRING	ANILLO RET.ACE.	ANELLO RADIALE	14X 22X 5-L.CM -NOX	W	
14	40196 k	3	PACKING RETAIN.	BAGUE P.GARNIT.	MANSCHETT.HALT.	ANILLO P.GUARN.	ANELLO DI FONDO	D. 14 H.90		
15	19290 k	3	O-RING	O-RING	O-RING	O-RING	O-RING	D. 23.52 X 1.78 NBR 70SH	W	
16	40192	3	O-RING	O-RING	O-RING	O-RING	O-RING	D. 12 X 2 NBR 90SH	W	
17	41610 k	6	VALVE UNIT	ENSEMBL. CLAPET	VENTILAGGREGAT	GRUPO VALVULA	GRUPPO VALVOLA	F 140/150 IP		
18	12490	2	O-RING	O-RING	O-RING	O-RING	O-RING	D. 8.74 X 1.78 NBR 70SH	W	
19	40203	1	PUMP HEAD	CULASSE POMPE	POMPE KNOPF	CABEZAL BOMBA	TESTATA POMPA	HOBBY 90 AL.		
20	01117	5	SCREW	VIS	SCHRAUBE	TORNILLO	VITE	TCEI 6X35 UNI 5931 12.9		
21	21841	3	O-RING	O-RING	O-RING	O-RING	O-RING	D. 12.42 X 1.78 NBR 90SH	3	
22	40191 k	6	VALVE SEAT	SIEGE SOUPAPE	VENTIL SITZ	ASIEMTO VALVULA	SEDE VALVOLA	"TH"		
23	40190 k	6	CAP	PLAT	KLEINER TELLER	PLATILLO	PIATTELLO	A.700 INK	6	
24	40189 k	6	SPRING	RESSORT	FEDER	MUELLE	MOLLA	D. 5.5 "TH"	6	
25	40188 k	6	VALVE GUIDE	GUIDE SOUPAPE	VENTILFUHRUNG	GUIA VALVULA	GUIDA VALVOLA	"TH"	6	
26	40193	4	O-RING	O-RING	O-RING	O-RING	O-RING	D. 15 X 2 NBR 70SH	4	
27	40171	1	NUT	ECROU	SCHRAUBMUTTER	TUERCA	DADO	E.START		
29	41612	1	PLATE	PLAQUETTE	PLATTCHEN	SOPORTITO	PIASTRINA	SIST.T-STOP A/400		
30	40162	1	SPRING	RESSORT	FEDER	MUELLE	MOLLA	130 B.	1	
31	40163	1	SPACER	ENTRETOISE	DISTANZSTUECK	SEPARADOR	DISTANZIALE	B.PASS 12	1	
32	40164	1	VALVE BODY	CORPS VALVE	VENTILKORPER	CUERPO VALVULA	CORPO VALVOLA	BY-PASS B	1	
33	09720	1	O-RING	O-RING	O-RING	O-RING	O-RING	D. 14 X 1.78 NBR 70SH	5	

TABLE N°:		DESCRIPTION:					SPARE PARTS LIST		DATE:	
07 01922 000		PUMP MOT. CONN. ONE JT. 2000M							17.06.99	
REF. CODE	KIT Q.TY	DESCRIPTION	DENOMINATION	BESCHREIBUNG	DESCRIPCION	DESCRIZIONE	TECHNICAL FEATURES	NOTES		
34	11652	1	O-RING	O-RING	O-RING	O-RING	O-RING	D. 12.42 X 1.78 NBR 70SH	5	
35	24818	1	ANTI-EXTR.RING	BAGUE ANTIEXTR.	SCHUTZRING	ANILLO DE PROT.	ANELLO ANTIES.	D. 12 X 9 X 1.5	5	
36	40168	1	SMALL PISTON	PETIT PISTON	STUEVERKOLBEN	PISTONCINO	PISTONCINO	E.START	5	
37	40169	1	SPRING	RESSORT	FEDER	MUELLE	MOLLA	E.START	5	
38	40165	1	CONTROL PISTON	PISTON COMMANDE	STUEVERKOLBEN	PISTON DE MANDO	PISTONCINO COM.	E.START	5	
39	12489	1	O-RING	O-RING	O-RING	O-RING	O-RING	D. 6.07 X 1.78 NBR 70SH	5	
40	40170	1	ANTI-EXTR.RING	BAGUE ANTIEXTR.	SCHUTZRING	ANILLO DE PROT.	ANELLO ANTIES.	D. 6 X 9	5	
41	40166	1	VALVE SEAT	SIEGE SOUPAPE	VENTIL SITZ	ASIEMTO VALVULA	SEDE VALVOLA	B.PASS B	5	
42	03496	3	O-RING	O-RING	O-RING	O-RING	O-RING	D. 9.25 X 1.78 NBR 70SH	5	
43	19399	1	BALL	BILLE	KUGEL	BOLA	SFERA	D. 7	5	
44	40167	1	CAP	PLAT	KLEINER TELLER	PLATILLO	PIATTELLO	B12	5	
46	41613	1	MANIFOLD	CONNECTEUR	VERBINDER	CONECTOR	COLLETTORE	F 150	5	
47	08636	1	O-RING	O-RING	O-RING	O-RING	O-RING	D. 4 X 2 EPDM70SH		
49	40172	1	SPRING	RESSORT	FEDER	MUELLE	MOLLA	D. 3.5		
50	40173	1	BALL	BILLE	KUGEL	BOLA	SFERA	D. 3/16" AISI 420		
51	01062	1	O-RING	O-RING	O-RING	O-RING	O-RING	D. 3.69 X 1.78 NBR 70SH		
52	06988	1	O-RING	O-RING	O-RING	O-RING	O-RING	D. 7.66 X 1.78 NBR 70SH		
53	40187	1	NIPPLE	NIPPLE	NIPPEL	NIPLO	NIPPO	A.700		
54	40174	1	BODY	CORPS	KORPER	CUERPO	CORPO	A.700		
55	40176	1	PLUG	GOUPILLE	STIFT	PASADOR	SPINA	2X22 UNI 1707 INK		
56	41614	1	KNOB	POIGNEE	KNAUF	POMOLO	POMOLO	IP	7	
57	40175	1	PROTECTION	PROTECTION	SCHUTZ	PROTECCION	PROTEZIONE	AX14	7	
59	41615	1	CONNECTOR	RACCORD	VERBIND.STUECK	RACOR	RACCORDO	1/8 M/F		
60	18650	1	PRESSURE GAUGE	MANOMETRE	DRUCKMESSER	MANOMETRO	MANOMETRO	0-300 D.40	7	
61	40181	1	O-RING	O-RING	O-RING	O-RING	O-RING	D. 5 X 2 NBR 90SH		
62	40182	1	VALVE	SOUPAPE	VENTIL	VALVULA	VALVOLA	H90 PLS		
63	40183	1	SPRING	RESSORT	FEDER	MUELLE	MOLLA	D. 8 V.N.RT		
64	40178	1	NOZZLE	BOSE	DUSE	BOQUILLA	UGELLO	D. 1.8 HOBBY		
65	40179	1	O-RING	O-RING	O-RING	O-RING	O-RING	D. 8 X 2 NBR 70SH		
66	40180	1	CONNECTOR	RACCORD	VERBIND.STUECK	RACOR	RACCORDO	A.700		
67	41616	1	CONNECTOR	RACCORD	VERBIND.STUECK	RACOR	RACCORDO	F140 IP		
68	40185	1	PLUG	GOUPILLE	STIFT	PASADOR	SPINA	"U" B.PASS 12		

TABLE N°:		DESCRIPTION:				SPARE PARTS LIST		DATE:	
07 01922 000		PUMP MOT. CONN. ONE JT. 2000H						17.06.99	
REF. CODE	KIT Q.TY	DESCRIPTION	DENOMINATION	BESCHREIBUNG	DESCRIPCION	DESCRIZIONE	TECHNICAL FEATURES	NOTES	
70	41617	1 SHELL	COQUILLE	SCHALE	FUNDA	GUSCIO	T-STOP ACQ		
71	37646	1 MICROSWITCH	MICROINTERRUPT.	MICROSCHALTER	MICROINTERRUPT.	MICROINTERRUT.	XGA 2 16(6)A		3
72	41618	1 LAMINATION	TOLE	FLEINBLECH	PLANCHITA	LAMIERINO	ONE JT.		
73	41619	1 LID	COUVERCLE	DECKEL	TAPA	COPERCHIO	S.T-STOP ACQ		
76	41620	1 PROTECTOR	PROTECTION	ROHRSCHUTZ	PROTECCION	SOFFIETTO	S.T-STOP FP		
77	40194 k	3 PACKING	BAGUE D'ETANCH.	DACHMANSCHETTE	ANILLO RETENC.	ANELLO TENUTA-	D. 14 W214		3
78	40195 k	3 HEAD RING	BAGUE DE TETE	KOPFRING	ANILLO DE CABE.	ANELLO DI TESTA	H.90 D. 14		3
79	01116	3 SCREW	VIS	SCHRAUBE	TORNILLO	VITE	TCEI 6X30 UNI5931		
80	40199	1 O-RING	O-RING	O-RING	O-RING	O-RING	D. 80x60 X 2.62 NBR 70SH		3
81	40154	1 CAP	PLAT	KLEINER TELLER	PLATILLO	PIATTELLO	H.90 9[
82	40155	1 ROLLER BEARING	ROULEM.A ROUL.	ROLLENLAGER	COJIN. RODILLOS	CUSCIN.A RULLI	ZKL 30303		
83	40156	1 OIL SEAL	JOINT SPI	OLDCHTUNGSRING	ANILLO RET.ACE.	ANELLO RADIALE	17X 28X 7 NBR70		7
86	40157	1 PUMP CRANKCASE	CARTER POMPE	PUMPE GEHAUSE	CARTER BOMBA	CARTER POMPA	A.700		
88	40150	2 BUSHING	DOUILLE	BUCHSE	MANGUITO	BOCCOLA	D. 20X12.5		
89	40150	1 EL.MOT. ROTOR	ROTOR MOTEUR E.	ROTOR MOTOR	ROTOR MOTOR EL.	ROTORE M.EL.	2.5HP M 2P 50HZ		
90	34501	1 BALL BEARING	ROULEM.A BILLES	KUGELLAGER	COJINE.DE BOLAS	CUSCIN.A SFERE	6003 2Z		7
91	40160	1 EL.MOT. STATOR	STATOR MOT.EL.	MOTOR STATOR	STATOR MOT.EL.	STATORE MOT.EL.	2.5HP 2P		7
92	40161	1 IMPELLER	HELICE	LUFTERRAD	TURBINA	VENTOLA	A.700 D.140		
95	19194 k	3 O-RING	O-RING	O-RING	O-RING	O-RING	D. 11.11 X 1.78 NBR 70SH		
98	40145	1 BOX COVER	COUVERCLE BOITE	KASTENDECKEL	TAPA CAJITA	COPERCHIO CASS.	A.700		
99	09699	1 O-RING	O-RING	O-RING	O-RING	O-RING	D. 18.77 X 1.78 NBR 70SH		
100	40146	1 CONVEYOR	TAPIS DE TRANS.	FORDERER	ENROLLADOR	CONVOGLIATORE	A.700		
105	33675	1 JOINT	JOINT	GEZOGEN	GUARNICION	TRAFILATO	MOUSSE D. 4		
	40144	1 CONTROL BOX	BOITE CONTROLE	STEUERUNG KAST.	CAJITA MANDO	CASSETT.COMANDI	ONE AX140		
107	40147	1 GASKET	GARNITURE	DICHTUNG	GUARNICION	GUARNIZIONE	SLX FP		3
108	40143	1 SWITCH	INTERRUPTEUR	SCHALTER	INTERRUPTOR	INTERRUTTORE	SLX 16A 250V 0-1 A4408 N		
111	99672	1 CONDENSER	CONDENSEUR	KONDENSATOR	CONDENSADOR	CONDENSATORE	40 MF BJ D.45X 95		2
112	40212	1 CABLE	CABLE	KABEL	CABLE	CAVO	F140 3X1.5		
113	01047	1 O-RING	O-RING	O-RING	O-RING	O-RING	D. 11.91 X 2.62 NBR 70SH		
KITS LIST									
40254 KIT P 15-402 ref. 13									

TABLE N°:		DESCRIPTION:				SPARE PARTS LIST		DATE:	
07 01922 000		PUMP MOT. CONN. ONE JT. 2000H						17.06.99	
REF. CODE	KIT Q.TY	DESCRIPTION	DENOMINATION	BESCHREIBUNG	DESCRIPCION	DESCRIZIONE	TECHNICAL FEATURES	NOTES	
40253	KIT P 15-401	ref.	14 15 77 78 95						2
40252	KIT P 15-400	ref.	17 22 23 24 25						2